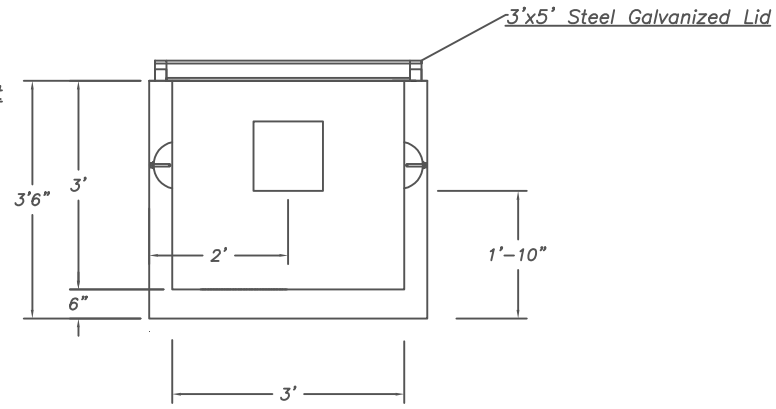
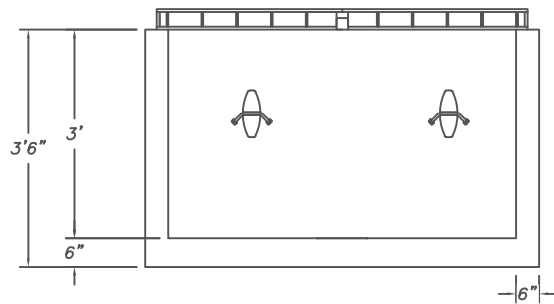


Plan View

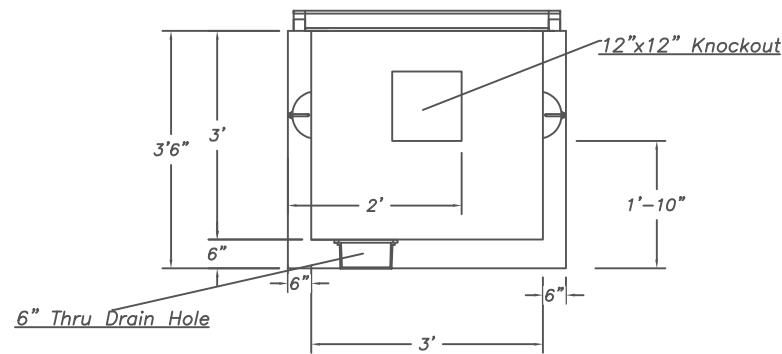


Side D

3'x5' Steel Galvanized Lid
6" Thru Drain Hole
12"x12" Knockout





Side A & C



Side B

SPECIFICATIONS:

1. CONCRETE: CONCRETE HAS A DESIGN STRENGTH OF 5000 PSI AT 28 DAYS.
2. REINFORCEMENT: ASTM A-615 GRADE 60
3. LOADING: DESIGNED FOR H-20 LOADING

 LONE STAR PRECAST	Lone Star Precast 454 Kelly Smith Lane Buda, Texas 78610 Ph: 512.312.2121	 NPCA <small>CERTIFIED PLANT</small>	TITLE		
			3'x5' Meter Vault		
DRAWN	6/21/23	SCALE	NA	DWG NO	IR
			See Detail	NA	
			Dimensions Unit: inch	SHEET 1 OF 3	